

# 2000 LITRE

## Twin Axle Braked Trailer



Maximum towable weight of **3500kg**

Suitable for most brands of tanks or bowzers up to **2000 Litre**,\* including the following MHM model:  
Fuel Steel Cube 2000

When looking for a robust, reliable, good quality twin axle braked trailer, suitable for fuel tanks up to 3,500kg, look no further than the MHM 2000 Litre Trailer.

Optional extra: Pin hitch

### Features

- Ready for work rolling chassis
- Towable chassis is fully certified and approved and is recorded on a data base in accordance with Regulation 2007/46/EC
- Open frame design
- The design is approved for various load fastening variations
- Chassis is complete with mudguards, brakes and rear lights

### Benefits

- Simply load and secure your tank or bowser and go
- No further testing or certification is required as the standard issue certification satisfies all the elements of trailer legislation and chassis can be legally and safely towed with, or without a pay load
- Simply fasten and secure your tank or bowser on and off the chassis with ease
- Choose from ratchet straps or nut and bolts fasteners as both are acceptable
- Trailer is suitable for UK and Ireland highway use

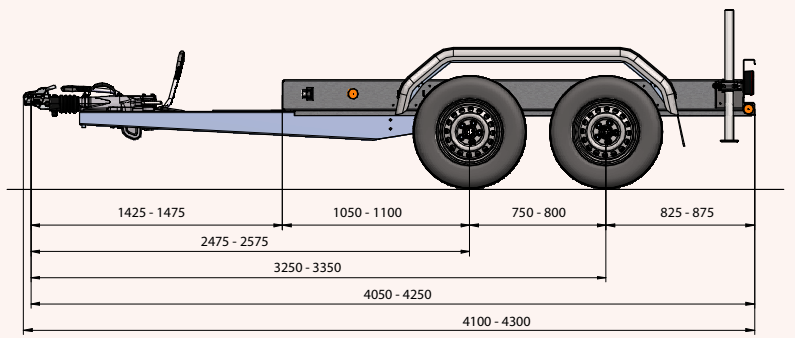
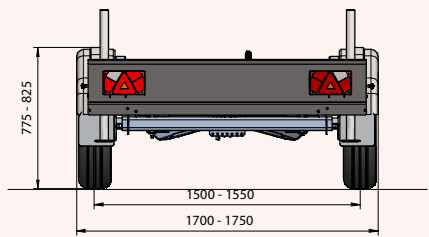
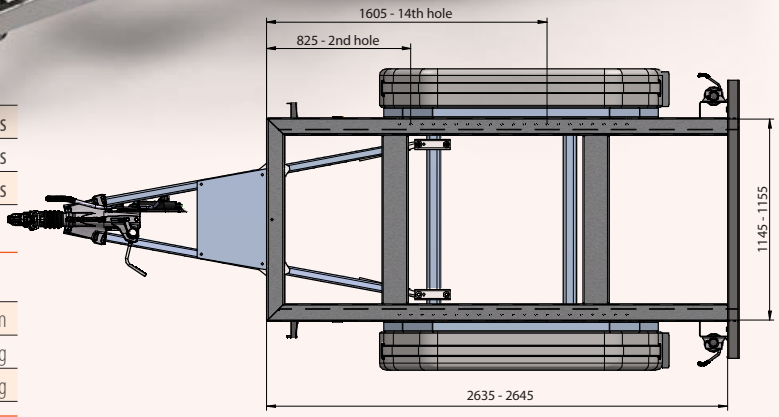


### Specification

Tow Hitch Type:	Ball	Suspension:	Yes	Jockey Wheel:	Yes
Wheel Quantity:	4	Brakes:	Yes	Mudguards:	Yes
Wheel Size:	14 inch	Handbrake:	Yes	Tail Lights:	Yes
Tyre Size:	185 R14 C-104/102N	Breakaway Cable:	Yes		

**Dimensions (Trailer)**

Length:	4300 mm	Width:	1750 mm	Height:	825 mm
Weight:	490 kg	Max. Load / Bed Weight:	3010 kg		
Max. Bed Area:	3000 mm <sup>2</sup>	Max. Gross Vehicle Weight (GVW):	3500 kg		



For more details call **MHM TODAY** on **0808 168 9099**  
Email [sales@mhmplant.com](mailto:sales@mhmplant.com) or visit us at [www.mhmplant.com](http://www.mhmplant.com)

